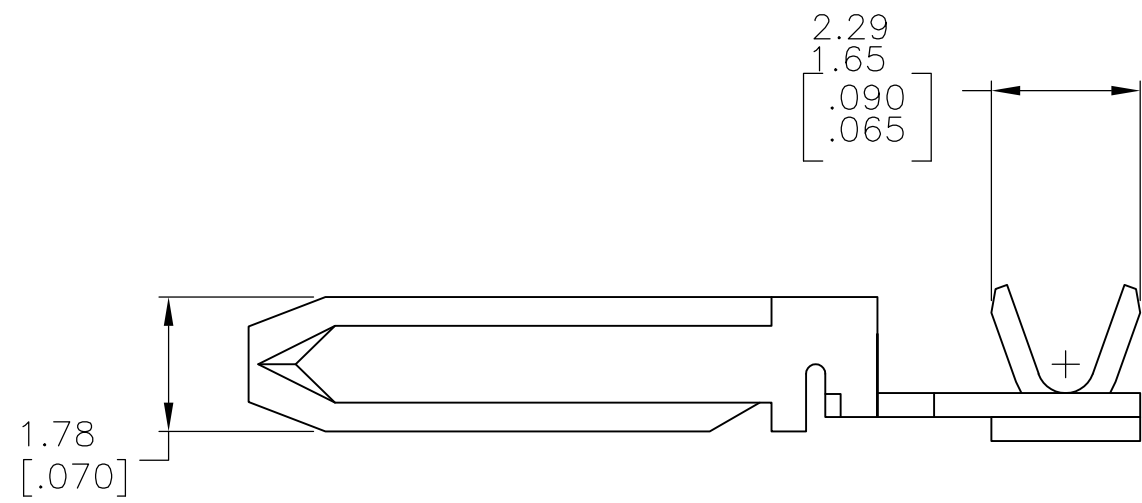
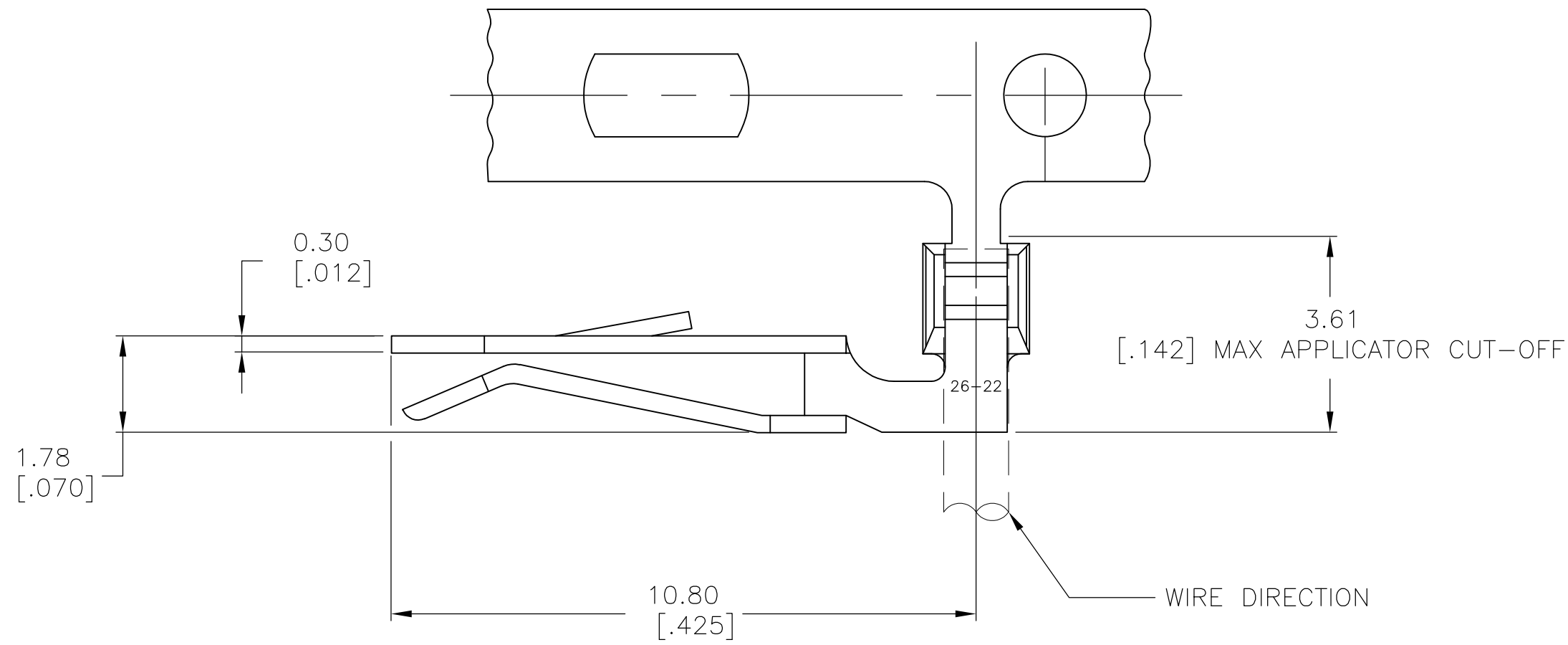


THIS DRAWING IS UNPUBLISHED. RELEASED FOR PUBLICATION
 © COPYRIGHT BY TYCO ELECTRONICS CORPORATION. ALL RIGHTS RESERVED.

LOC	DIST	REVISIONS			
P	LTR	DESCRIPTION	DATE	DWN	APVD
CM	0	H	REVISED PER ECO-07-010173	01MAY07	KW DB

1. DIMENSION IN BRACKET ARE IN INCHES.
2. WIRE RANGE: 26-22 AWG (0.12-0.4 mm²)



	TIN	640708-2
SUPERSEDED BY 640708-2	TIN-LEAD	640708-1
	FINISH	PART NO

THIS DRAWING IS A CONTROLLED DOCUMENT.		DWN	B. LEWIS	23JAN92	Tyco Electronics Corporation Harrisburg, PA 17105-3608		
DIMENSIONS: mm [INCHES]		CHK	R. SWING	23JAN92			
TOLERANCES UNLESS OTHERWISE SPECIFIED:		APVD	G. MILLER	23JAN92			
0 PLC ± - 1 PLC ± - 2 PLC ± - 3 PLC ± 0.25[.010] 4 PLC ± - ANGLES ± -		PRODUCT SPEC	NAME			CONTACT, CRIMP SNAP-IN, MTA-100	
MATERIAL		APPLICATION SPEC	SIZE		CAGE CODE	DRAWING NO	RESTRICTED TO
0.30 [.012] THK COPPER ALLOY		FINISH	A2		00779	C=640708	-
0.00203 [.000080] THK MATTE TIN		WEIGHT	CUSTOMER DRAWING		SCALE	10:1	SHEET 1 of 1
METRIC		REV		H			